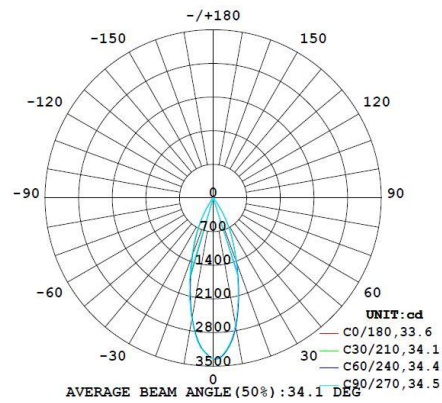
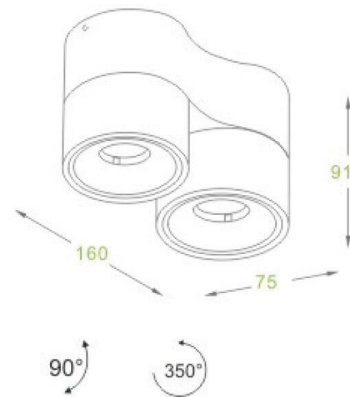


PRATO S-2

Product Information

- Aluminum passive body
- Highest-grade silver anodized reflector
- Long lumen maintenance 50,000 hrs (L80)
- Up to SDCM:2, consistent white light color stability
- IP20
- CLASS I
- Driver included
- Weight: 0.85 Kg
- 1430.5 lm // 20.6 W // 69.4 lm/W (@3000K CRI90)



Ordering Code

Product family	Driver	Inner Color	CCT	Beam angle	CRI	Housing color
XXX	X	XX	XX	XX	XX	X
P04	1 – Non-dim 2 – Phase dim	01- White 02- Black 05- Gold 06- Chrome	27- 2700K 30- 3000K 40- 4000K 50- 5000K	02- SP: 10°-25° 03- FL: 25°-40° 04-MWFL: 40°-50	80 90 97	1- White 2- Black 5- Gold 6- Chrome

*Code Example: PRATO S-2 > Non-dim > White (inner) > 3000K > FL > CRI 90 > White

P041013003901